

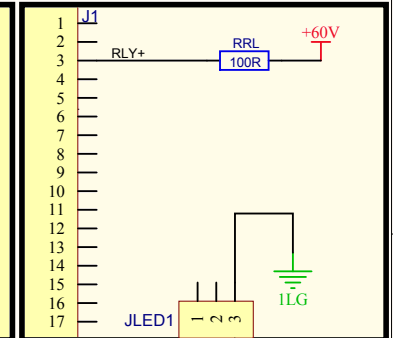
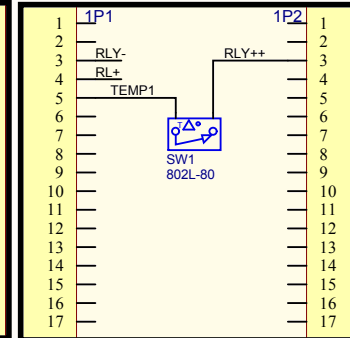
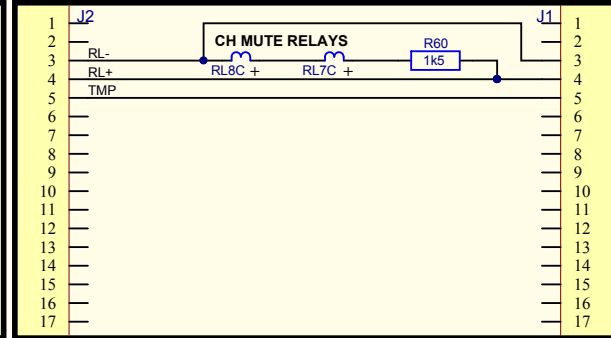
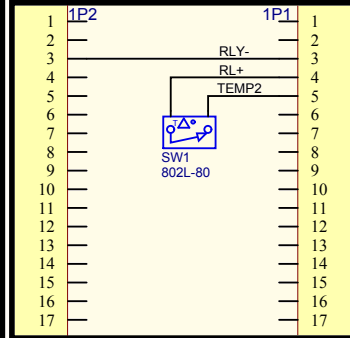
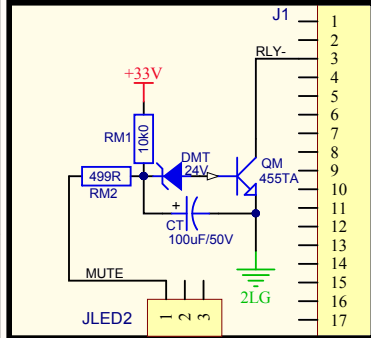
B135 2BSST CH A PSB R1

B135 2BSST 875 CH A

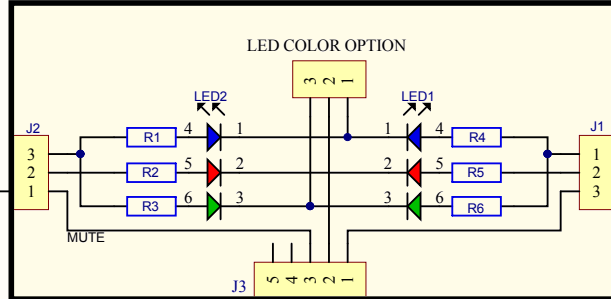
2.5BSST2 IN OUT SM

B135 2BSST 875 CH B

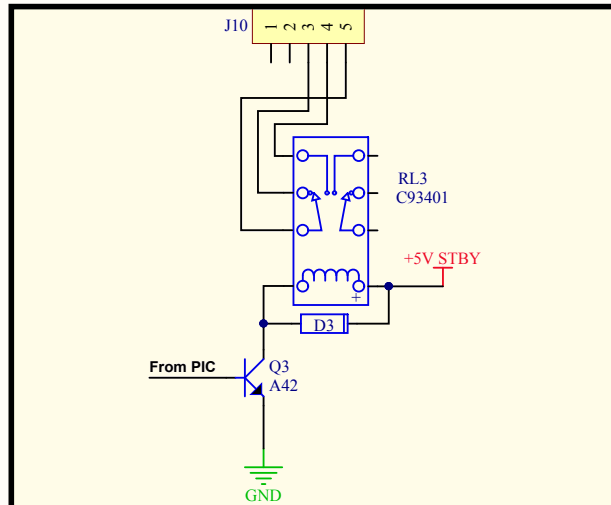
B135 2BSST CH B PSB R1



2.5BSST2 LED PWR SW



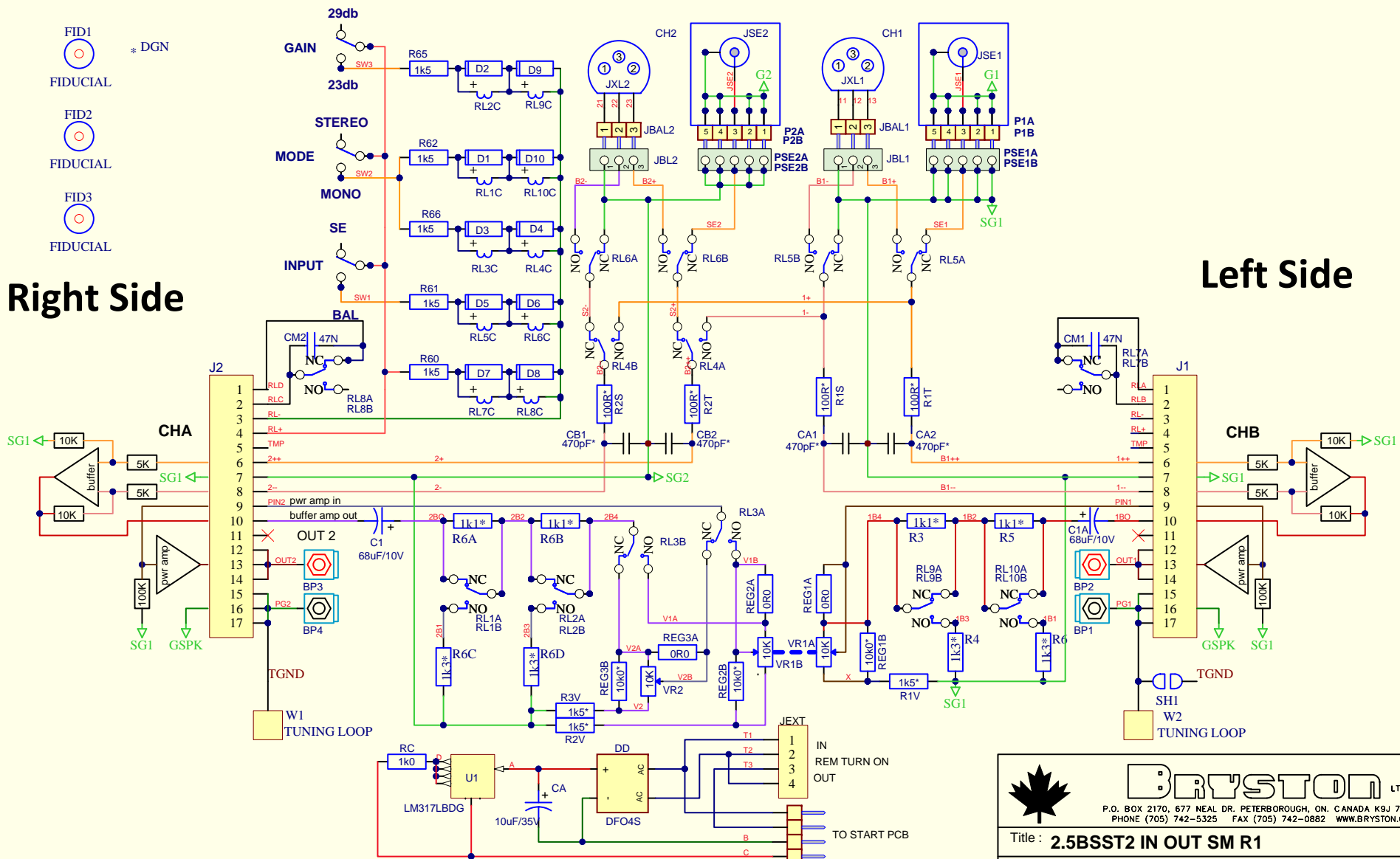
2.5BSST2 START BOARD




Title		
2.5BSST2 CHANNEL MUTE OVERVIEW SCHEMATIC		
Size	Number	Revision
A4		
Date:	10-02-2013	Sheet of
File:	Z:\2.5BSST\2.5BSST2 Channel Mute Schematic.Doc	12 of 12

Right Side

Left Side

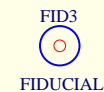
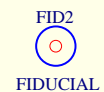
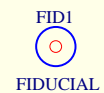
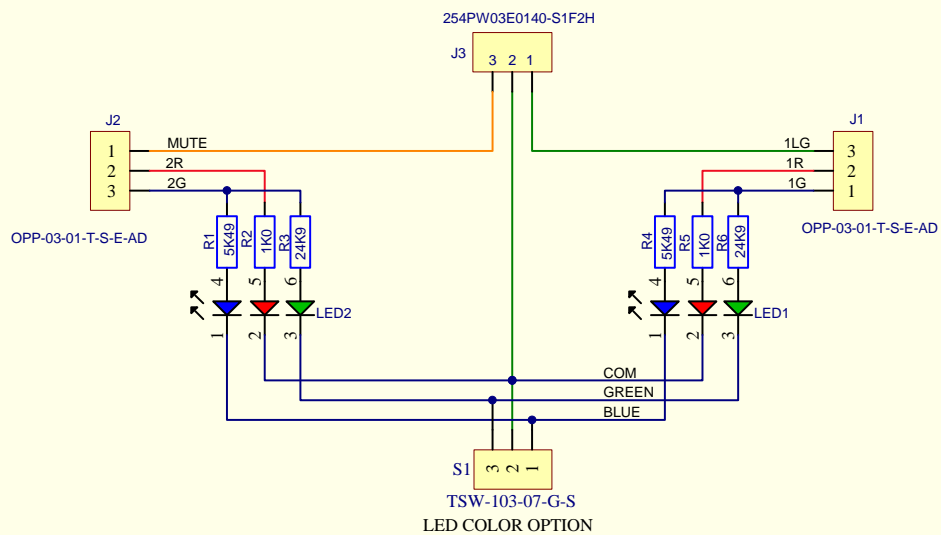




BRYSTON LTD

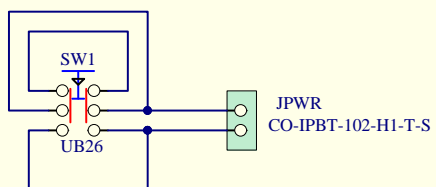
P.O. BOX 2170, 677 NEAL DR. PETERBOROUGH, ON. CANADA K9J 7Y4
PHONE (705) 742-5325 FAX (705) 742-0882 WWW.BRYSTON.CA

Title: 2.5BSST2 IN OUT SM R1	
File: 2.5BSST2 IN-OUT SM R1	Sheet: 1 of 1 Rev: 1
Date: Nov 2012	Drawn: DGN



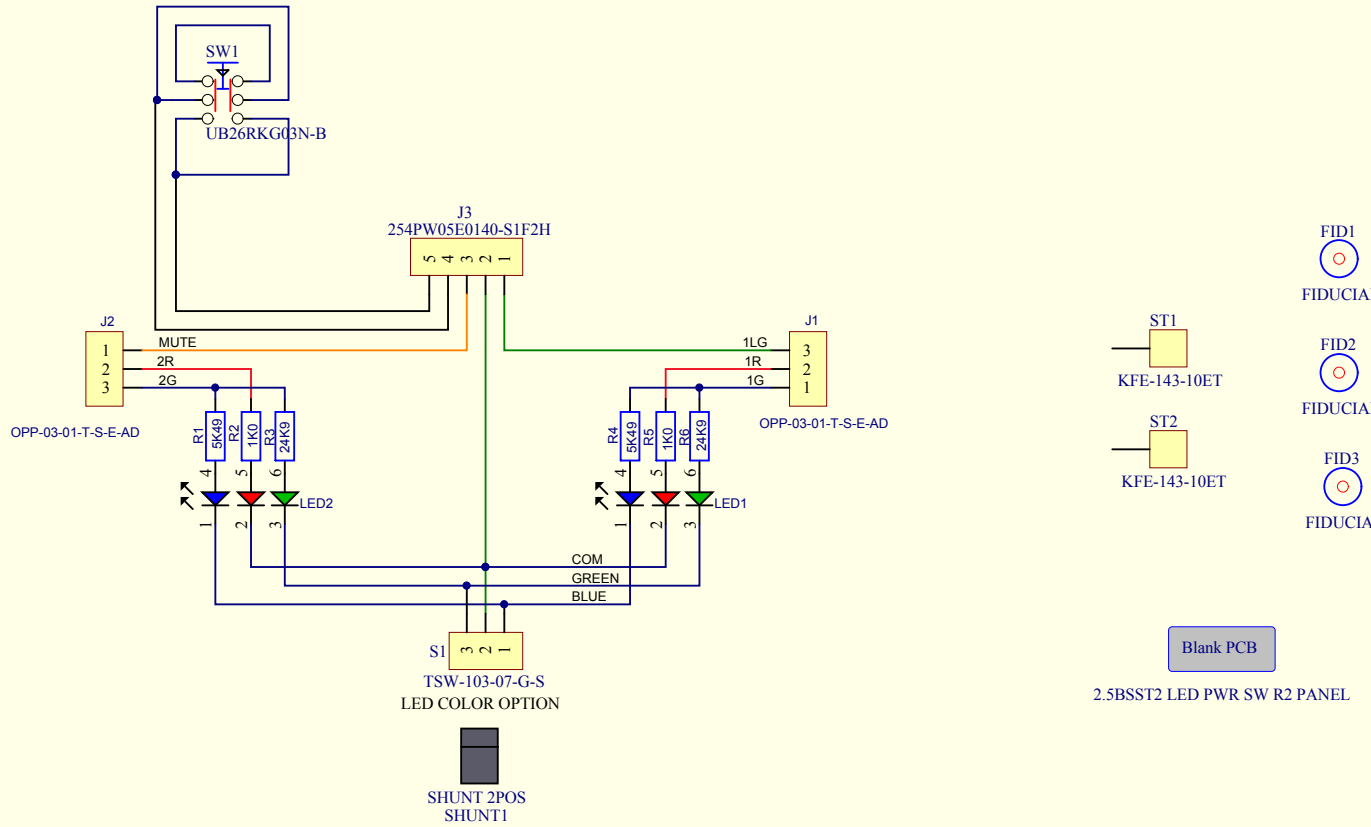
Blank PCB

2.5BSST2 LED PWR SW R1 PANEL



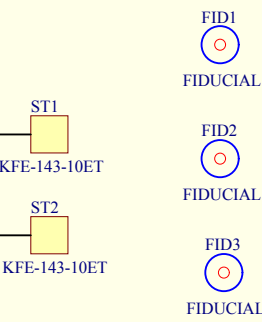
Size :
A

Title : 2.5BSST2 LED PWR SW R1		Rev : 1.0
File : 2.5BSST2 LED PWR SW R1.SCH	Sheet : 1 of 1	
Date : 12-18-2012	Drawn :	



REVISIONS

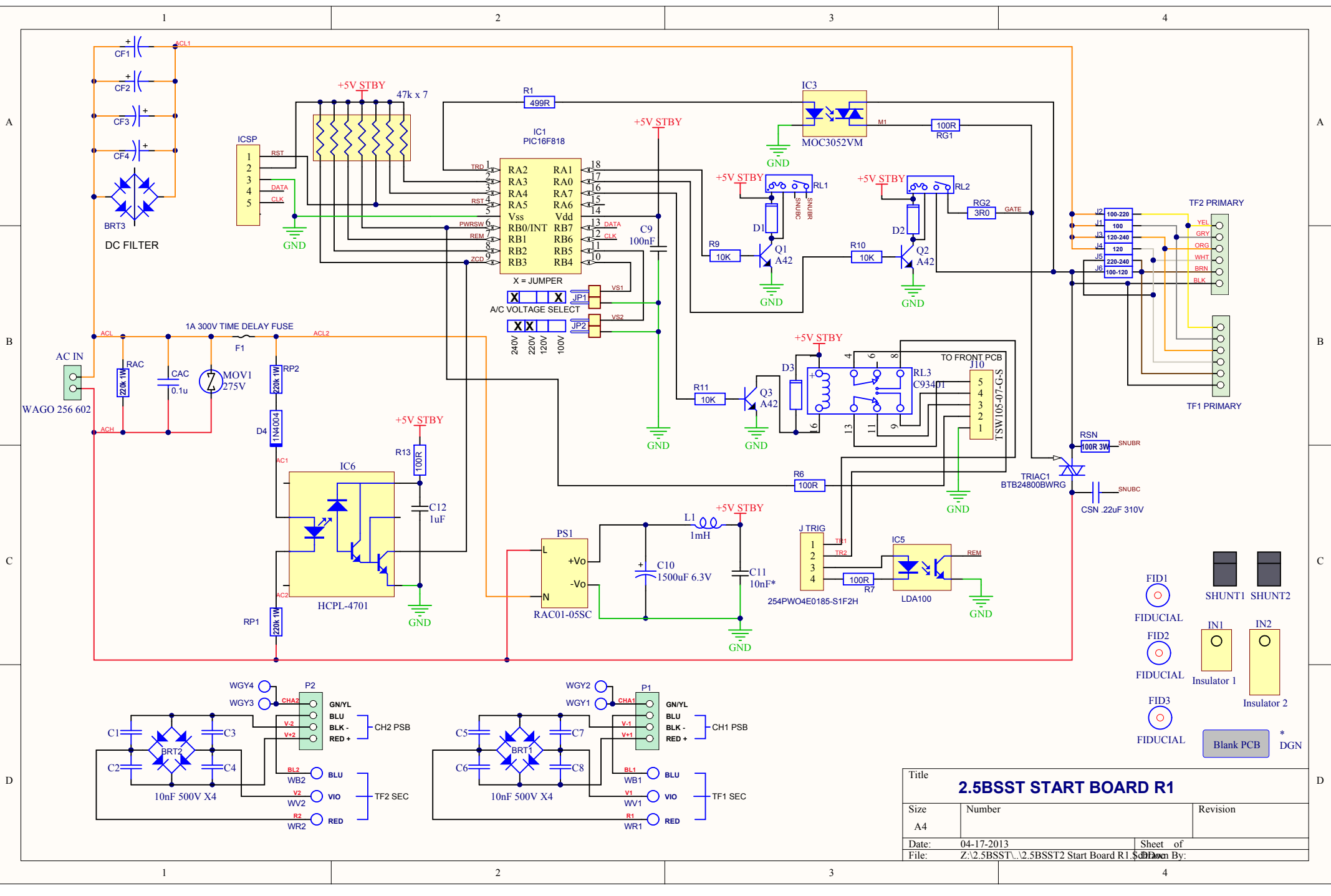
R1: PROTOTYPE
 R2: CHANGED J3 TO 5PIN CONNECTOR
 RESPECIFIED SWITCH SW1 TO LOW CURRENT VERSION
 RESPECIFIED STANDOFFS TO BROACHING TYPE
 ADDED MATERIAL AROUND STANDOFFS TO MEET
 0.22" HOLE TO EDGE CLEARANCE



Blank PCB

2.5BSST2 LED PWR SW R2 PANEL

		Size :	A
		Rev :	2.0
Title :		2.5BSST2 LED PWR SW R2	
File :	2.5BSST2 LED PWR SW R2..SchDoc	Sheet :	1 of 1
Date :	04-17-2013	Drawn :	

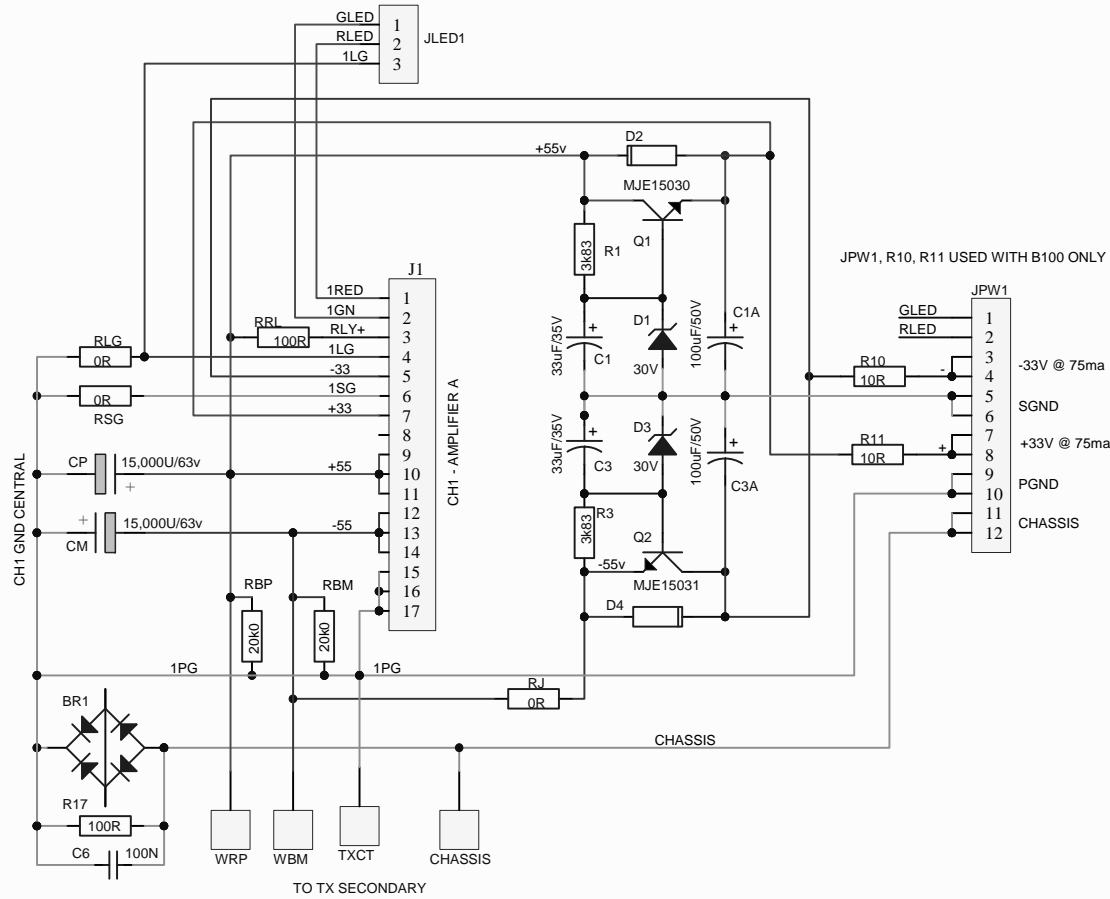
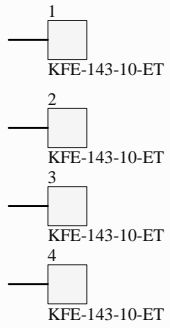


Title		
2.5BSST START BOARD R1		
Size	Number	Revision
A4		
Date:	04-17-2013	Sheet of
File:	Z:\2.5BSST\2.5BSST2 Start Board R1.SchDoc	Drawn By:



B135 2BSST CH B PSB R1

USED WITH 2BSST ONLY



Size :
A

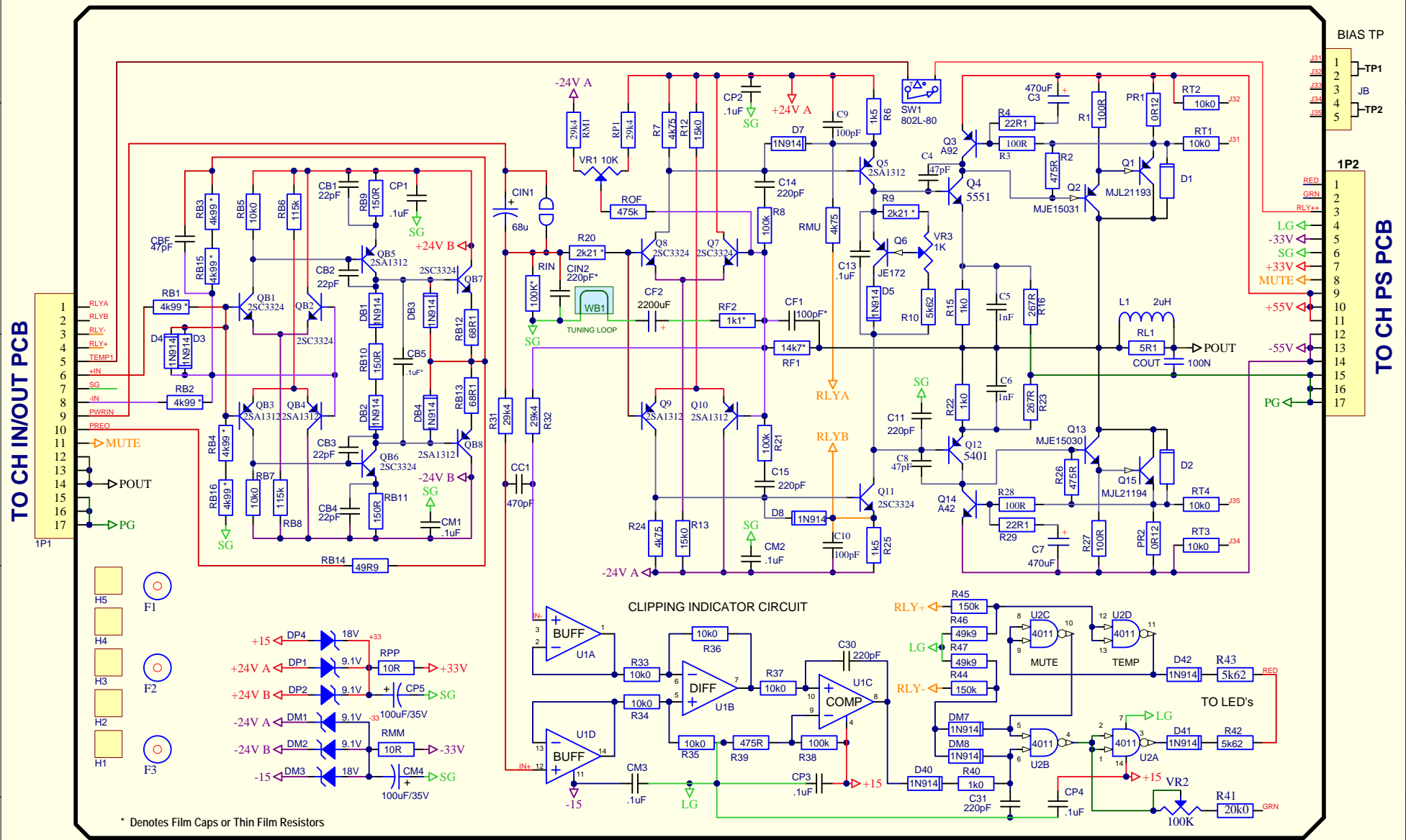
Title :
B135 2BSST CHB PSB R1

Rev : 3

File : B135 2BSST CH B PSB R1.SCHDOC Sheet : 1 of 1
Date : 06-27-2012 Drawn :

PCB

B135 2BSST 875 CH B R1



* Denotes Film Caps or Thin Film Resistors


Resistor	B135 / 2.5BSST2	Bryston Part #	875Z / HT	Bryston Part #
RIN	100K	RSTNPW1206100KBEEA	1k	RSMK2-1K-1%0000
RB2	4K99	RSTNPW12064K99BEEA	10k	RSMK2-10K-1%0000
RB14	49R9	RSEJ8ENF49R9V	10R	RSMRS25F-10R-1%
RB4	4k99	RSTNPW12064K99BEEA	499k	RSMK2-499K-1%00
RB16	4k99	RSTNPW12064K99BEEA	499k	LDN300TGR2D

JULY 3, 2012
 Q7, Q8, Q11, QB1, QB2, QB6, QB7
 Q5, Q9, Q10, QB3, QB4, QB5, QB8
 Q4
 Q12
 R3, R28
 C4, C8
 C5, C6
 RP1, RM1

MMBT100A CHANGED TO 2SC3324GR
 MMBT200A CHANGED TO 2SA1312GR
 MMBT100A CHANGED TO MMBT5551-7F
 MMBT200A CHANGED TO MMBT5401-7F
 220R CHANGED TO 100R
 6.8pF CHANGED TO 47pF
 470pF CHANGED TO 1nF
 49K9 CHANGED TO 29K4

NOV 20, 2012
 VR2
 R41
 R43

1K0 CHANGED TO 100K
 499R CHANGED TO 20K
 20K CHANGED TO 5K62

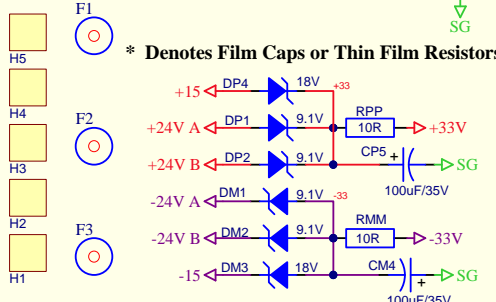
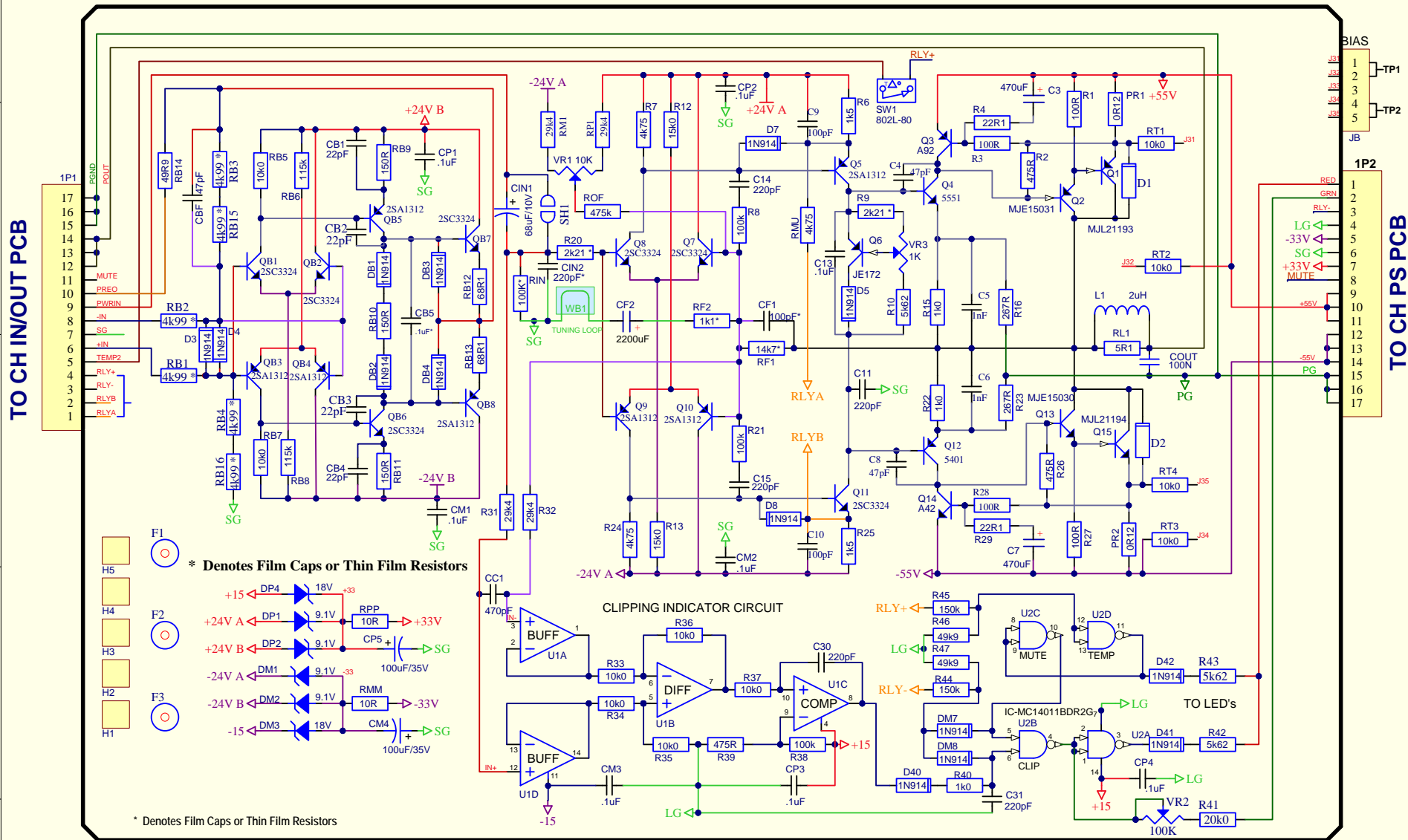


BRYSTON LTD

P.O. BOX 2170, 677 NEAL DR. PETERBOROUGH, ON. CANADA K9J 7Y4
 PHONE (705) 742-5325 FAX (705) 742-0882 WWW.BRYSTON.CA

Title: B135 2BSST 875 CH B R1		
File:	Sheet: of	Rev: 1
Date: JULY 2012	Drawn: DGN	


PCB B135 2BSST 875 CH A R1



Resistor	B135 / 2.5BSST2	Bryston Part #	875Z / HT	Bryston Part #
R1N	100K	RSTNPW1206100KBEEA	1k	RSMK2-1K-1%0000
RB2	4K99	RSTNPW12064K99BEEA	10k	RSMK2-10K-1%0000
RB14	49R9	RSEJ8ENF49R9V	10R	RSMRS25F-10R-1%
RB4	4k99	RSTNPW12064K99BEEA	499k	RSMK2-499K-1%00
RB16	4k99	RSTNPW12064K99BEEA	499k	LDN300TGR2D

JULY 3, 2012
 Q7,Q8,Q11,QB1,QB2,QB6,QB7
 Q5,Q9,Q10,QB3,QB4,QB5,QB8
 MMBT100A CHANGED TO 2SC3324GR
 MMBT200A CHANGED TO 2SA1312GR
 MMBT100A CHANGED TO MMBT5551-7F
 MMBT200A CHANGED TO MMBT5401-7F
 Q12
 220R CHANGED TO 100R
 C4,C8
 6.8pF CHANGED TO 47pF
 470pF CHANGED TO 1nF
 49K9 CHANGED TO 29K4

NOV 20, 2012
 VR2
 R41
 R43
 1K0 CHANGED TO 100K
 499R CHANGED TO 20K
 20K CHANGED TO 5K62



BRYSTON LTD

P.O. BOX 2170, 677 NEAL DR. PETERBOROUGH, ON, CANADA K9J 7Y4
 PHONE (705) 742-5325 FAX (705) 742-0882 WWW.BRYSTON.CA

Title : B135 2BSST 875 CH A R1

File : _____ Sheet : _____ of _____ Rev : 1

Date : **JULY 2012** Drawn : **DGN**